

Fitting/Replacing the bulb: Max. 7W LED GU10

When changing a bulb, always switch off at the mains and allow the bulb to cool before handling.

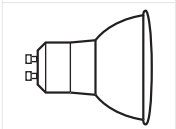
Dispose of used bulbs carefully and responsibly.

Use a soft cloth to handle bulbs, avoid directly touching the bulbs as this will shorten their life.

Do not exceed the wattage stated or use a different shape bulb from that indicated on the fitting. Use of the incorrect bulb will damage the product and invalidate the guarantee.

Check with your retailer re bulb dimming capability before purchasing replacement bulbs.

Max. 7W LED GU10



Technical data

Supply Voltage: 220-240V~, 50Hz Bulb Type: 1 x Max. 7W LED GU10 (required)



Conformity with all relevant UKCA Directive requirements.



Conformity with all relevant EC Directive requirements.



The power supply is Double Insulated and does not require connection to an Earth circuit.



Waste electrical products should not be disposed of with household waste. Please recycle where facilities exist. Check with your Local Authority or local store for recycling advice.



This product is suitable for dimming.



This product is rated at IP65.

Care and Safety

We recommend cleaning with a soft dry cloth. Do not use solvents or abrasive cleaners as these could damage the finish. For your safety, always switch off the power supply before changing lightbulbs, or cleaning.



This LED's are protected by the glass shade. The shade part must be replaced immediately should it become cracked or damaged. This fitting must not be used without the glass shade in place.

Instruction manual

Dango

110972, 110973



V2.01/03/2024

UK Manufacturer: BH17 7BY

EU Manufacturer: Brilliant AG,

Brillantstrasse 1, D-27442 Gnarrenburg

saxby
lighting

www.saxbylighting.com

saxby
lighting

Thank you for purchasing this light fitting. Please read the instruction carefully before use to ensure safe and satisfactory operation of this product. Please retain these instruction for future reference.

Warning

This power supply is double insulated and does not require connection to an Earth circuit.

Please read these instructions carefully before commencing any work.

This unit must be fitted by a competent and qualified electrician.

Check the pack and make sure you have all the parts listed.

Install in accordance with the IEE Wiring regulations and current Building Regulations.

To prevent electrocution switch off at mains supply before installing or maintaining this fitting. Ensure other persons cannot restore the electrical supply without your knowledge. If you are in any doubt, please consult a qualified electrician.

This light fitting should be connected to a fused circuit with a 30mA RCD.

The external flexible cable or cord of this luminaire cannot be replaced; if the cord is damaged, the luminaire shall be destroyed.

If replacing an existing fitting, make a careful note of the connections.

Waste electrical products should not be disposed of with household waste. Please recycle where facilities exist. Check with your local authority or retailer for recycling advice.

Layout

Plan the desired layout of this fitting carefully, ensuring the cables will reach the distance between the junction box and the light fitting.

Avoid locating any cables in positions that would cause a hazard. Position cables and junction boxes (not supplied) away from areas where they may be at risk from being cut, trapped or damaged.

The mains supply cable must have a minimum cross section area of 1.0mm².

Cables must be protected using suitable conduit or plastic trunking.

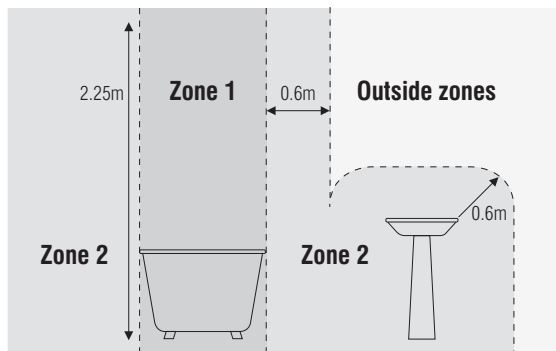
This product must be mounted by out of arms reach.

This product can only be surface mounted on the ceiling.

This product has special protection against the ingress of moisture and is IP65 rated.

This product is suitable for use zone 2 and outside zones in a bathroom. Please see diagram.

If this unit is being fitted in zone 1 a room containing a bath or shower, a 30mA RCD must be used - in accordance with IEE regulations.



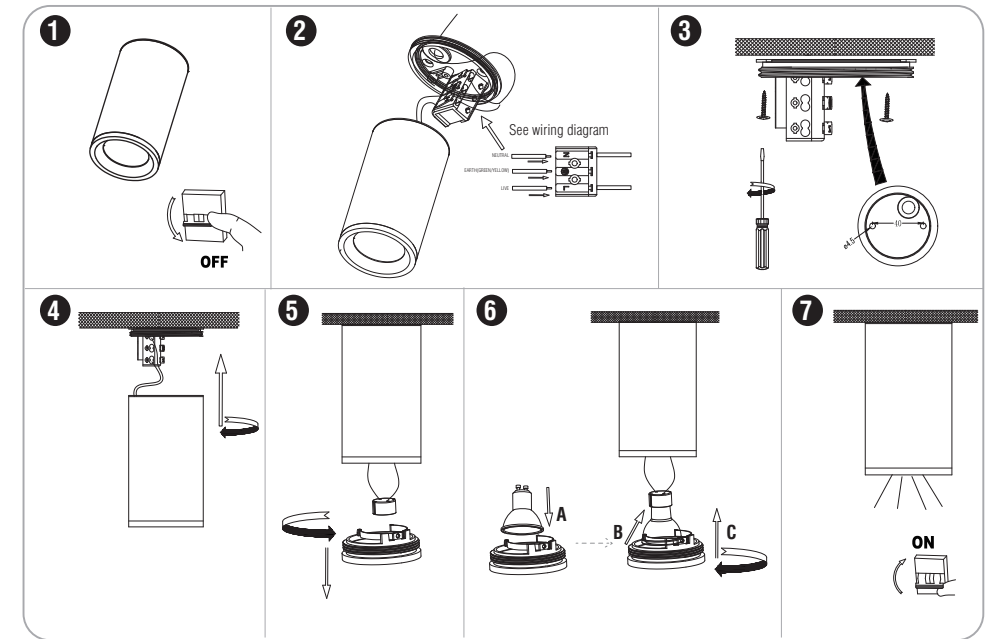
Installation

Existing fittings must be completely removed before installation of a new product. Before removing the existing fitting, carefully note the position of each set of wires.

Note that the power needs to be isolated/switched off at the fuse board.

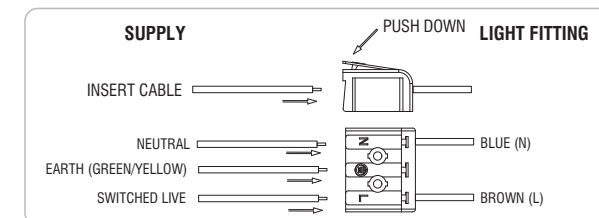
The ceiling surface must be flat and smooth to ensure a good fit.

- Turn the lamp body anticlockwise to detach from the installation backplate.
- Using the installation backplate as template, mark the position to determine the location for the upcoming installation
- Pull the mains wire through the hole on the backplate and connect to the quick terminal block as the detailed wiring diagram.
- Screw the installation backplate to the position originally set on the ceiling using the self-tapping screws.
- Turn back the lamp body clockwise to the installation backplate.
- Turn the lamp cover anticlockwise to detach from the lamp body.
- Fit the bulb (not supplied) to the lamp cover.
- Insert the bulb installed on the lamp cover into the lamp-socket
- Clockwise turn back the lamp cover with the bulb to the lamp body.
- Replace fuse or circuit breaker and switch on. Your light is now ready for use.



Wiring

Having correctly identified the wiring from your existing light fitting, pull the mains wire through the hole and connect to the quick fit connection block installation backplate in the following way:



Check that...

You have correctly identified the wires.
The connections are tight.

No loose strands have been left out of the connection block.